

**alkitronic®**

HOME OF TORQUE POWER

**R/SG**

for Plate Heat Exchanger



# designed for your needs

## Applications

- These tools are ideally specialized for bolting connections on plate heat exchangers, e.g. in the food and beverage sector, the paper industry, and the chemical industry. They save much time when tightening and loosening plate packs where **perfect retention and absolute tightness are essential**.
- Reliable, low-wear operation due to **continuous rotation** when bolting with spindles or long threaded bolts.
- Depending on the application, electrical or pneumatic driven torque multipliers: torque up to 4,800 Nm / 3,540 ft.lbs.

## Advantages

- Load-free operation, with short assembly time.
- **alkitronic® PC-R, PC-SG** and battery driven torque multiplier EAF with fast gear for turning in and simple, quick switching to power gear.
- **SG output can be separated**; the respective drive can be used individually as a complete torque multiplier.

## alkitronic® specials

- Targeted types for convenient working in every tightening situation: among other options between radial gearing (R) with high-performance worm drive; tangential gearing (SG) with highly efficient spur gear.
- **Long lifetime** due to extremely robust motor housing made of cast aluminum or break-proof polymer.
- Supplied in **sturdy plastic cases**.
- **Successfully used worldwide** by manufacturers, service companies and end customers for **over 35 years**.

## Specifications

### Pneumatic driven models:

Prerequisites for best work with the indicated torques are an operating pressure of 2-7 bar at a volume flow of approx. 10-15 l/s. On request, our pneumatic torque multipliers are available with **ATEX certification**: II 2 G D c IIB T6.

### Electric driven models:

Universal AC input 100 V – 253 V, frequency 45 Hz – 66 Hz, power max. 1.4 kW, protection category I. EC models with protection class IP54. EAF models with two lithium-ion battery packs 18 V, 5.2 Ah, and battery charger.





**Statement of deposition**  
Deposition number: EPS 20 ATEX 20THH0297  
Revision: 1.0

Confirmation of receipt according to article 13 (1) (b) of Directive 2014/54/EU of the European Parliament and of the Council for equipment and protective systems intended for use in potentially explosive atmospheres for:

Company: alki TECHNIK GmbH  
Address: Unterletterweg 4  
85051 Ingolstadt, Germany

Product(s):  
Alkitronic-Kompakt air screwdriver  
Type series: CLDL, CLD, CLS, CLS 2, RCL and CLV

Documents:  
1 DVD

Validity date of the deposition: 2030-05-19

The receipt and the storage of the documentation for the products given above are hereby confirmed.  
This statement refers exclusively to the documentation submitted to Bureau Veritas for deposition.  
Agreed with the deposition number given above by Bureau Veritas.

The deposition is static.  
A review for completeness has not been carried out.

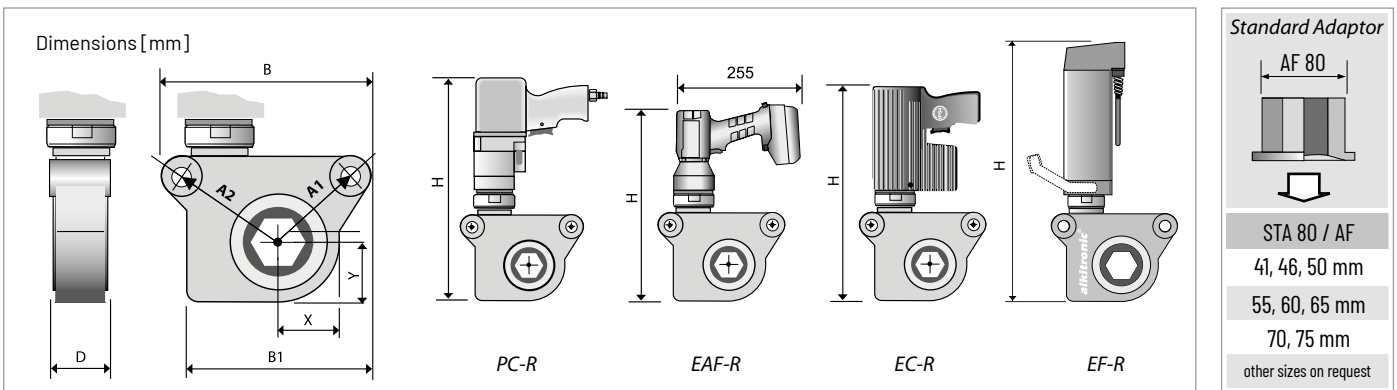
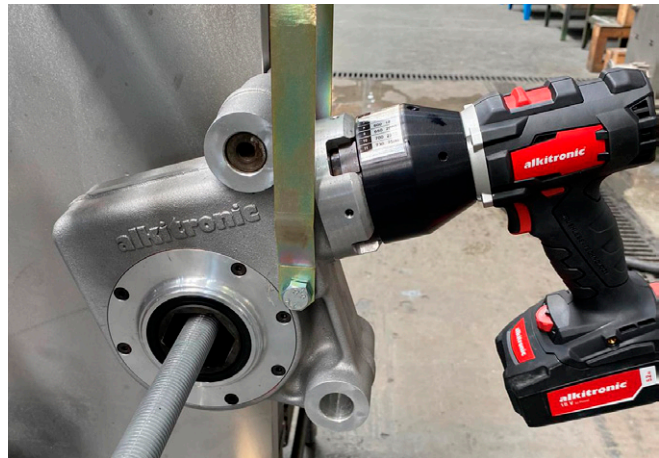
Date: 2020/05/20  
Thomas Larum

Bureau Veritas Consumer Products Services Germany GmbH is Notified Body in accordance with Directive 2014/54/EU of the European Parliament and of the Council for equipment and protective systems intended for use in potentially explosive atmospheres with the identification number 2004.

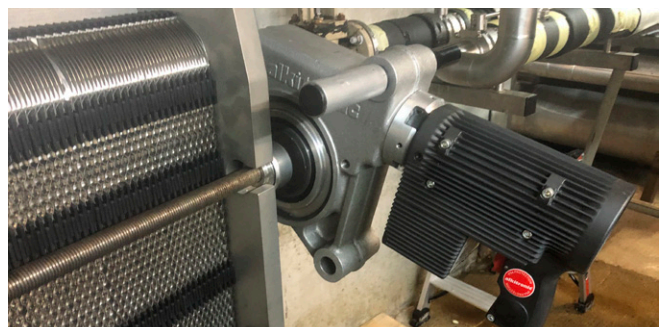
**Recommendation:** Use of two alkitronic® torque multipliers to increase productivity, reduce the load on the torque multipliers when working with large plate packages, and extend the service life of the seals.

## Technical Data

alkitronic® Radial Gearing (R) SW 80

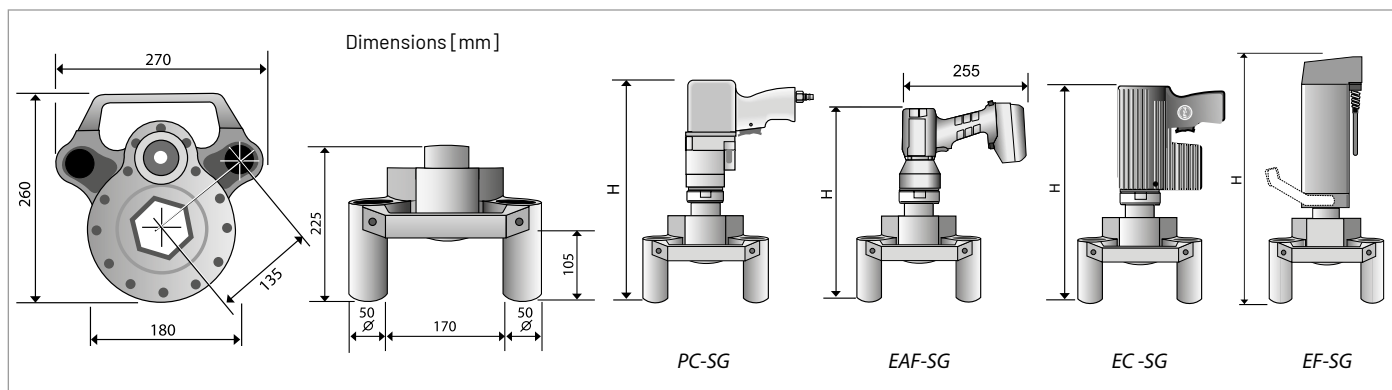


Radial Gearing Models	Pneumatic drive		Electric drive	
	PC-R (2-Gear)	EAF-R (2-Gear)	EC-R	EF-R
Type	PC-R 80	EAF-R 80	EC-R 80	EF-R 80
Torque range 2nd gear (approx.)	Nm / ft.lbs 670-1975 / 495-1455	250-730 / 185-540	-	-
Torque range 1st gear (approx.)	Nm / ft.lbs 1645-4840 / 1210-3570	720-2500 / 530-1845	480-3840 / 355-2830	560-3780 / 410-2790
Width across flat (AF)	mm 80	80	80	80
Height (approx.)	H mm 450	450	475	615
Width (approx.)	B/B1 mm 325/240	325/240	325/240	325/240
Bolt distance (approx.)	A1/A2 mm 156/194	156/194	156/194	156/194
Dimensions (approx.)	X/Y mm 98/98	98/98	98/98	98/98
Dimension (approx.)	D mm 94	94	94	94
Weight (approx.)	kg 21	20.5	21	24
Idle speed 1st gear (approx.)	rpm 4	2	9.5	8
Idle speed 2nd gear (approx.)	rpm 12	7	-	-

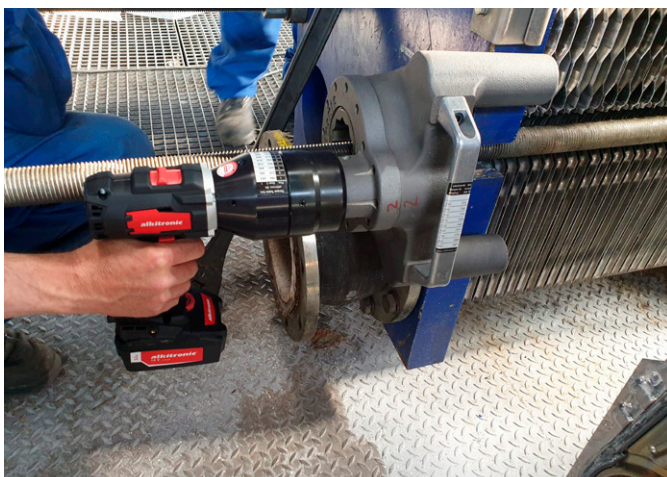


## Technical Data

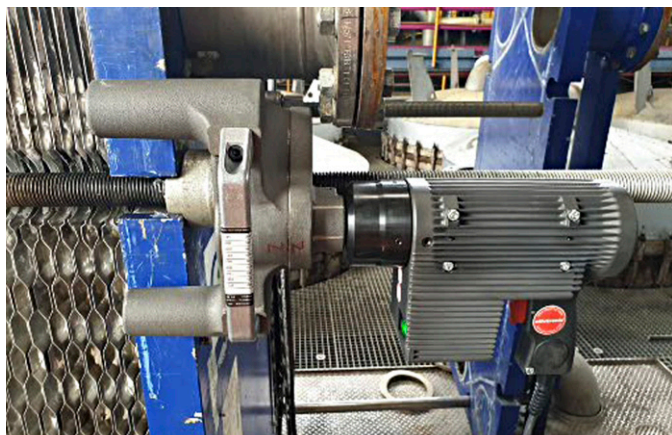
### alkitronic® Tangential Gearing (SG) SW 80



Tangential Gearing Models	Pneumatic drive		Electric drive			
	PC-SG (2-Gear)		EAF-SG (2-Gear)	EC-SG	EF-SG	
Type	PC-SG 80		EAF-SG 80	EC-SG 80	EF-SG 80	
Torque range 2nd gear (approx.)	Nm / ft.lbs	440-1330 / 325-980	250-730 / 185 -540	-	-	
Torque range 1st gear (approx.)	Nm / ft.lbs	1400-3780 / 1030-2790	750-2500 / 555-1845	560-3780 / 410-2790	560-3780 / 410-2790	
Width across flat (AF)	mm	80	80	80	80	
Height (approx.)	H	mm	530	470	500	635
Weight (approx.)	kg	17	16.2	19	21.5	
Idle speed 1st gear (approx.)	rpm	3.5	2.1	10	8	
Idle speed 2nd gear (approx.)	rpm	10	7.5	-	-	

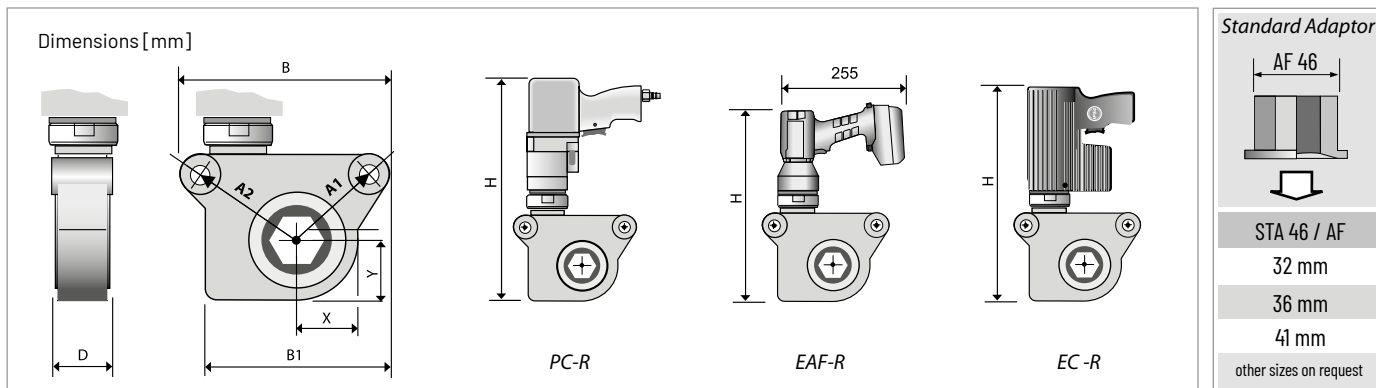
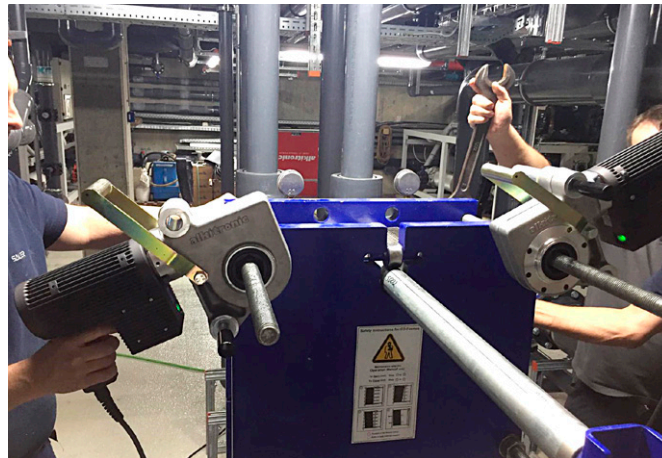


The torque multipliers can also be used with the SG drive disassembled.

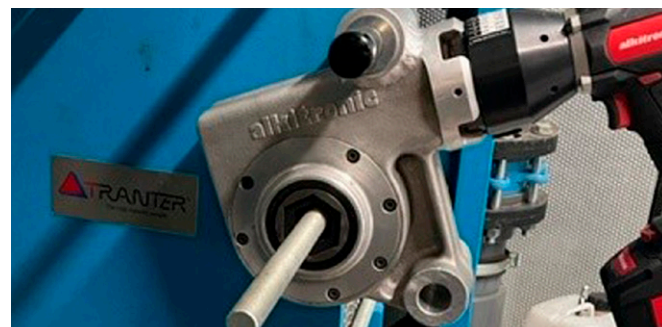


## Technical Data

### alkitronic® Radial Gearing (R) SW 46



Radial Gearing Models	Pneumatic drive		Electric drive	
	<b>PC-R (2-Gear)</b>		<b>EAF-R (2-Gear)</b>	<b>EC-R</b>
Type	PC-R 46		EAF-R 46	EC-R 46
Torque range 2nd gear (approx.)	Nm / ft.lbs	250-780 / 185-575	250-730 / 185-540	-
Torque range 1st gear (approx.)	Nm / ft.lbs	800-2500 / 590-1845	750-2500 / 555-1845	250-2530 / 185-1865
Width across flat (AF)	mm	46	46	46
Height (approx.)	H mm	435	400	425
Width (approx.)	B/B1 mm	252/215	252/215	252/215
Bolt distance (approx.)	A1/A2 mm	112/145	112/145	112/145
Dimensions (approx.)	X/Y mm	75/75	75/75	75/75
Dimension (approx.)	D mm	94	94	94
Weight (approx.)	kg	13.5	13.5	14.5
Idle speed 1st gear (approx.)	rpm	4.5	2.5	9.5
Idle speed 2nd gear (approx.)	rpm	14	8	-



## YOUR PLUS FOR MORE PERFORMANCE

### Increased quality

Premium production  
Highest quality materials  
Long product life cycles  
Since 1984 experience in bolting technology  
Made in Germany – international patents

### Increased precision

Precise, customer-specific torques  
High repeatability  
Reliability in permanent operation  
Documentation of tightening results  
Automatic shut-off

### Increased productivity

Quicker tightening without reworking  
No environmentally caused failures (IP54, ATEX)  
High work safety  
Easy to use: clear, simple instructions  
Low maintenance and cost efficient

### Better service

Technical advice on site  
Training offers  
Manufacturer's calibration and certification  
Lifecycle support  
Spare part and repair service

alki TECHNIK GmbH

Development, Production and Distribution of Bolting Systems

Unterlettenweg 4 – 85051 Ingolstadt/Germany – fon +49 841 97499-0 – fax +49 841 97499-90  
info@alkitronic.com – www.alkitronic.com

### EXTRACT FROM OUR PRODUCT RANGE



**alkitronic XE-SERIES**

THE ELECTRICS



**alkitronic XP-SERIES**

THE PNEUMATICS



**alkitronic XH-SERIES**

THE HYDRAULICS



**alkitronic XM-SERIES**

THE MANUALS