



# VELOX

Electric Hydraulic Pump

## Applications

- alkitronic® VELOX is a robust, long-life quality product made in Germany.
- This unique electrical hydraulic pump (**protection class IP65**) is protected against rain, splashing water and dust deposit to **eliminate costly downtime**.
  - Its suitable for 110V or 230V main grids and voltage-controlled mobile power units.

## Advantages

- **High precision** ( $\pm 3\%$ ) through all pressure ranges, defined by precisely adapted oil flow rate.
- **Air cooling, robust design, low weight.** The housing design ensures optimum heat dissipation.
- **Simple operating: one-push-button remote control** for ergonomic, working convenience and distance safety.
- **High working speed and short set-up times.** Can connect two hydraulic torque tools to increase productivity and to save time and money.
- **Flexible bolting applications.** Compatible with almost all hydraulic torque wrenches, regardless of cylinder size and torque range.

## alkitronic® specials

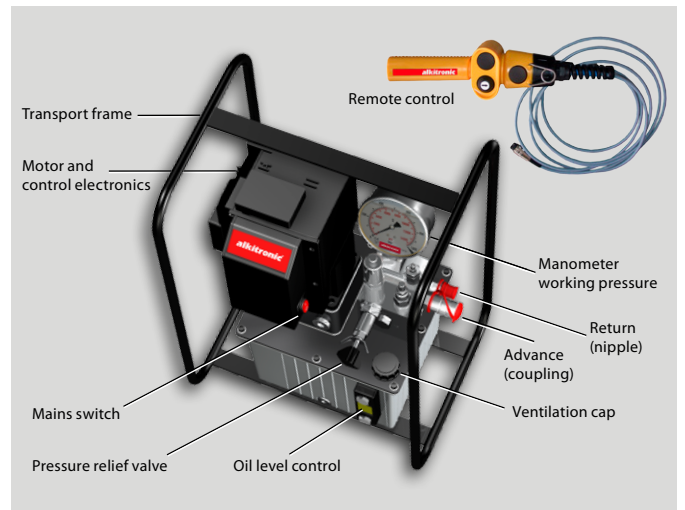
- **Low maintenance costs** due to the maintenance-free, low-wear and brushless synchronous motor. No magnetic control valves and therefore no wear.
- **Modular construction for cost-saving upgrade** or parts exchange.
- **Individual operation** - basic version with manual control.
- **Integrated motor protection** to avoid damage due to overload.



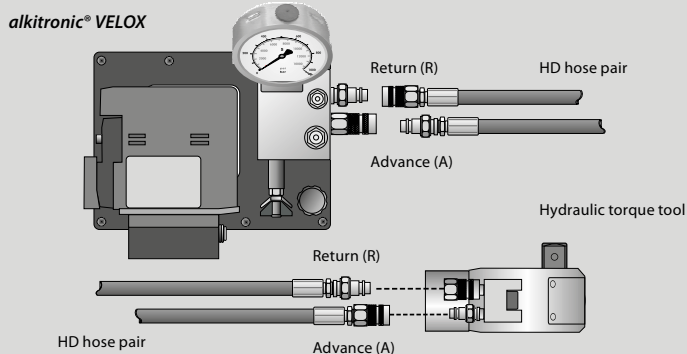
## Technical Data

alkitronic® VELOX infinitely adjustable pressure setting up to 700 bar (maximum operating pressure: 700 bar)

| Specification                                  | alkitronic® VELOX           | VELOX Speed Upgrade      |
|--|-----------------------------|--------------------------|
| Drive electrical / nominal sensitivity         | 110/230 V, 50/60 Hz, 1600 W | 230 V, 50/60 Hz, 2100 W  |
| Protection class                               | IP65                        | IP65                     |
| Output low pressure area                       | 6 l/min up to 140 bar       | 8,5 l/min up to 140 bar  |
| Output high pressure area                      | 0,75 l/min up to 700 bar    | 1,15 l/min up to 700 bar |
| Tank capacity                                  | 4,0 l                       | 4,0 l                    |
| Surrounding temperature                        | -20 °C up to +50 °C         | -20 °C up to +50 °C      |
| Noise emission                                 | < 76 dB(A)                  | < 76 dB(A)               |
| Weight incl. oil                               | 24 kg                       | 24 kg                    |
| Dimensions L x W x H (mm)                      | 360 x 260 x 560             | 360 x 260 x 560          |
| Dimensions L x W x H (mm) with transport frame | 390 x 310 x 570             | 390 x 310 x 570          |



Compatible: Diagram of hydraulic hose connection



Attention! Hydraulic hoses are not included in the scope of delivery. They can be purchased separately.

Hydraulic torque wrench alkitronic® H-AT



We recommend our hydraulic torque wrenches for secure and reliable tightening or loosening of heavy bolt connections.

**alkitronic®**  
HOME OF TORQUE POWER

alkitronic® products  
Made in Germany by  
alki TECHNIK GmbH

Development, Production and  
Distribution of Bolting Systems

Unterlettenweg 4  
85051 Ingolstadt  
Germany

fon +49 841 97499-0  
fax +49 841 97499-90

info@alkitronic.com  
www.alkitronic.com