

Applications

- **alkitronic® EAFW:** Battery powered 2-speed torque multiplier for torques from 300 Nm to 6,000 Nm. Angled design with high operating comfort.
- **Mobile and always ready for use:** Compact design for convenient working in limited spaces or without power supply.
- **Extremely short fastening cycles:** Fast gear for run down and power gear for highest torques and precision.
- **Efficient operation:** Fast and easy gear-changing, great torque range - each gear has eleven torque values to choose from.

Advantages

- **Low running costs:** The low-wear, brushless, synchronous motor is maintenance free.
- **Health-preserving:** Low weight, ergonomically designed, low noise emissions. No noise protection necessary.
- **High performance:** Two lithium-ion battery packs ensure up to 360 screw joints in a row. Each battery features an LED charge level indicator.
- **Exact shut-off torque even at low battery levels.**

alkitronic® specials

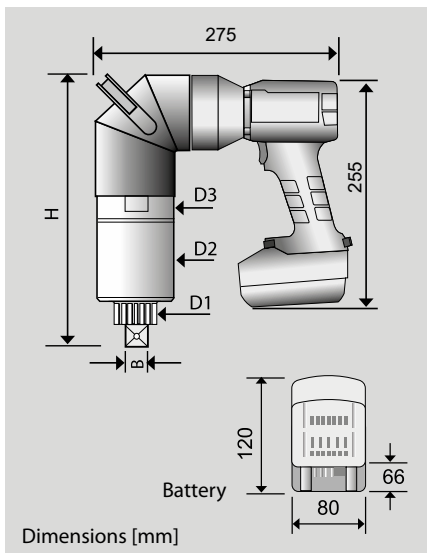
- **Very low repair requirements:** Robust motor housing made of special polymer. It is break-proof, impact-proof, and resistant to corrosion.
- **Angle-drive with optimised efficiency and great running characteristics.**
- **Intelligent energy management:** Smart electronics protect every battery cell from overcharging and depth discharge.



Technical Data: alkitronic® EAFW Models

Type		EAFW2 / 280	EAFW2 / 300	EAFW2 / 400	EAFW2 / 600
Torque range (approx.) *	Nm	300-2800	320-3200	380-4100	500-6000
	lbf.ft	220-2065	235-2360	280-3025	370-4430
Square drive	B	1"	1"	1 1/2"	1 1/2"
Diameter (approx.)	D ₁ mm	54	72	72	72
Diameter (approx.)	D ₂ mm	85	93	93	109
Diameter (approx.)	D ₃ mm	88	97	97	109
Height (approx.)	H mm	305	310	320	330
Weight without DMA (approx.) **	kg	9.5	9.5	11.2	11.0
Idle speed 1 st gear	rpm	1.7	1.5	1.0	0.8
Idle speed 2 nd gear	rpm	6.0	5.0	4.0	3.0

* When loosening bolts, a higher torque (up to 20 %) may be necessary (release torque). We will be pleased to help you with your choice. ** Torque reaction arm



alkitronic®

TORQUE POWER WORLDWIDE

alkitronic® products
Made in Germany by

alki TECHNIK GmbH
Development, Production and
Distribution of Bolting Systems

Unterlettenweg 4
85051 Ingolstadt
Germany

fon +49 841 97499-0
fax +49 841 97499-90

info@alkitronic.com
www.alkitronic.com